

LEGEND

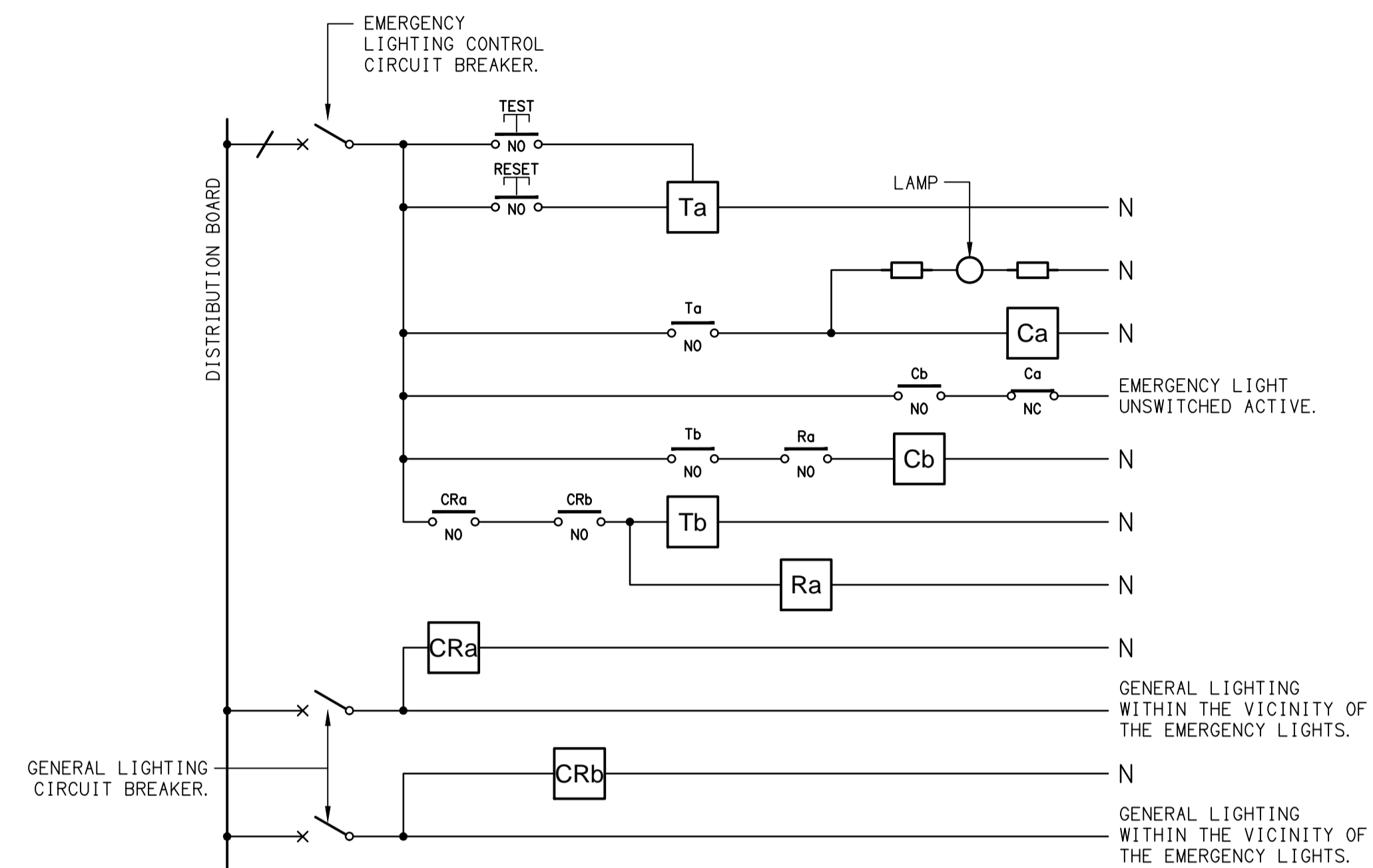
- ELECTRICAL SERVICES SWITCHBOARD.
- SWITCHBOARD / CONTROL PANEL NOT PROVIDED AS PART OF THE ELECTRICAL SUBCONTRACT.
- SINGLE POWER OUTLET.
- DOUBLE POWER OUTLET.
- SPECIAL PURPOSE POWER OUTLET.
- EXIST EXISTING POWER OUTLET TO REMAIN AS NOTED.
- SIGNAGE CONNECTION.
- SINGLE PHASE ISOLATOR.
- THREE PHASE ISOLATOR.
- GAMING JUNCTION BOX.
- CONDUIT ROUTE.
- EXISTING HAND DRYER CONNECTION.
- FAN CONTROL, TYPE x
- LIGHTING CONTROL SWITCHPANEL, TYPE x.
- ONE-WAY LIGHT SWITCH.
- TWO-WAY LIGHT SWITCH.
- CIRCUIT LINE.
- SWITCH LINE.
- POWER CIRCUIT DESIGNATION. DENOTES DB AND CIRCUIT.
- LIGHTING CONTROL CHANNEL REFERENCE.
- ELECTRICAL EQUIPMENT AS NOTED.
- REFER TO DETAIL NOTED FOR THE AREA SHOWN HATCHED. ADDITIONAL OUTLETS & FITTINGS MAY BE SHOWN ON DETAIL.
- FIRE INDICATOR PANEL.
- SMOKE DETECTOR.
- RECESSED FIRE ALARM SPEAKER.
- THERMAL DETECTOR.
- FIRE ALARM DOOR SYSTEM INTERFACE.
- F01 F01: CEILING FAN
- HR01: WALL MOUNTED HEATER.
- Sx: LED STRIP LIGHT, TYPE AS NOTED.
- E1 E1: GENERAL RECESSED LED EMERGENCY LIGHT, WHITE.
- EX: EMERGENCY LED EXIT LIGHT, WHITE UNLESS NOTED AS BLACK.
- BL01 BL01: TREE BUD LIGHTS.
- L1 L1: RECESSED ADJUSTABLE DOWNLIGHT, DIMMABLE.
- L2 L2: EXISTING DOWNLIGHT REPLACED BY NEW RECESSED ADJUSTABLE DOWNLIGHT, DIMMABLE.
- L3 L3: RECESSED ADJUSTABLE DOWNLIGHT, DIMMABLE.
- L4 L4: EXISTING RECESSED DOWNLIGHT TO REMAIN.

LEGEND

- L5 L5: SURFACE MOUNTED DOWNLIGHT, DIMMABLE.
- L6 L6: RECESSED ADJUSTABLE DOWNLIGHT, DIMMABLE.
- L7 L7: RECESSED DOWNLIGHT, DIMMABLE.
- L8: EXISTING LIGHT TO REMAIN.
- L9: 600 x 600 FLAT PLATE RECESSED PLASTER BOARD FITTING.
- PD01 PD01: SUSPENDED DECORATIVE SUSPENDED PENDANT, DIMMABLE.
- PD02 PD02: SUSPENDED DECORATIVE SUSPENDED PENDANT, DIMMABLE.
- PD03: SUSPENDED DECORATIVE SUSPENDED PENDANT, DIMMABLE.
- PD04 PD04: SUSPENDED DECORATIVE SUSPENDED PENDANT, DIMMABLE.
- WL01 WL01: WALL LIGHT, DIMMABLE.
- WL02 WL02: WALL LIGHT, DIMMABLE.

EQUIPMENT:

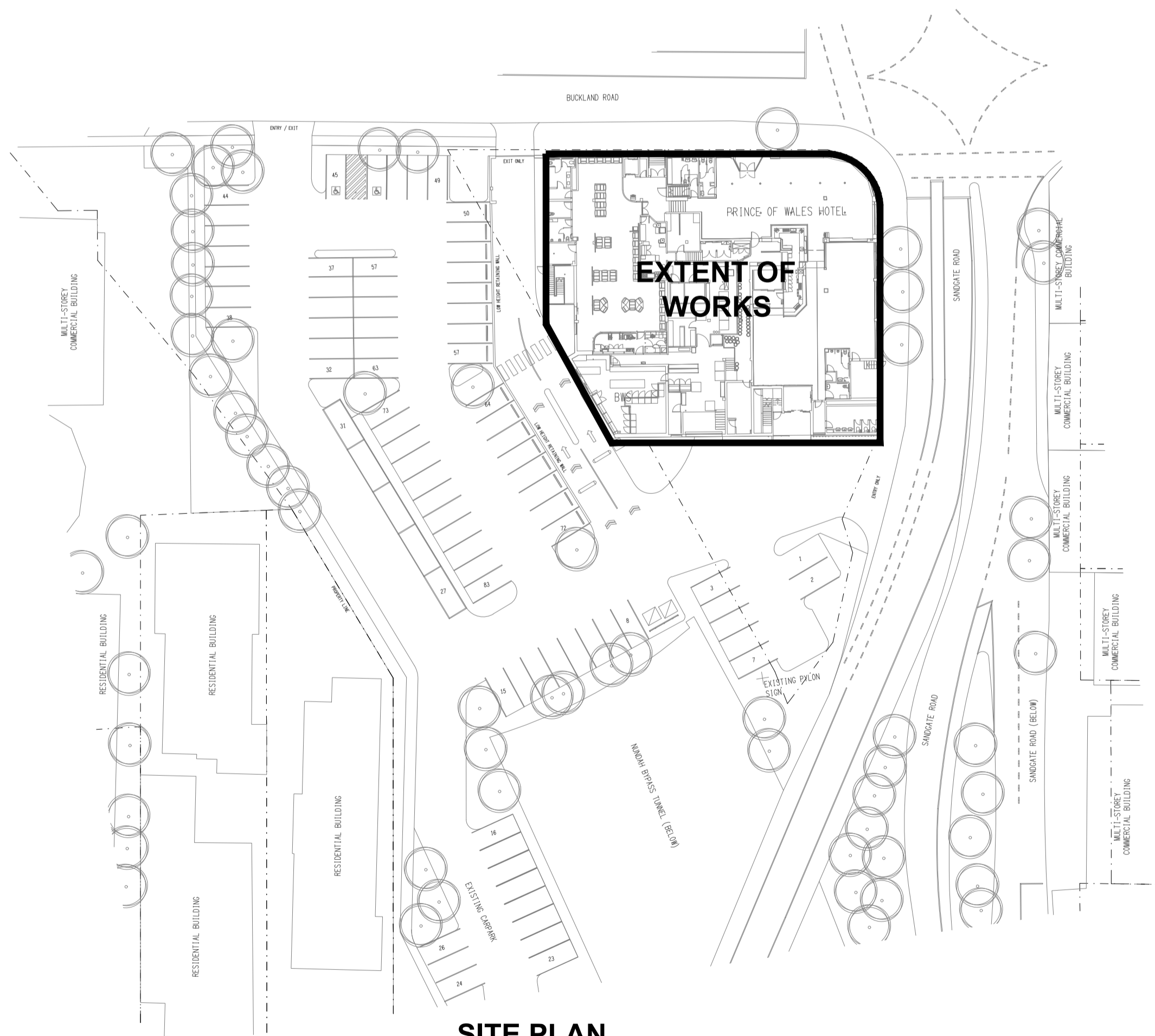
- TEST - TEST PUSH BUTTON MOUNTED ON THE DISTRIBUTION BOARD ESCUTCHEON.
- RESET - RESET PUSH BUTTON MOUNTED ON THE DISTRIBUTION BOARD ESCUTCHEON.
- LAMP - AMBER TEST INDICATING LAMP MOUNTED ON THE DISTRIBUTION BOARD ESCUTCHEON.
- Ta - ADJUSTABLE 0-3 HOUR TIMED RELAY.
- Tb - 15 MINUTE RUN-ON TIMER TO OPERATE UPON THE RETURN OF MAINS POWER.
- Cx - CONTACTOR x.
- CRx - CONTROL RELAY x.
- Rx - RELAY x.



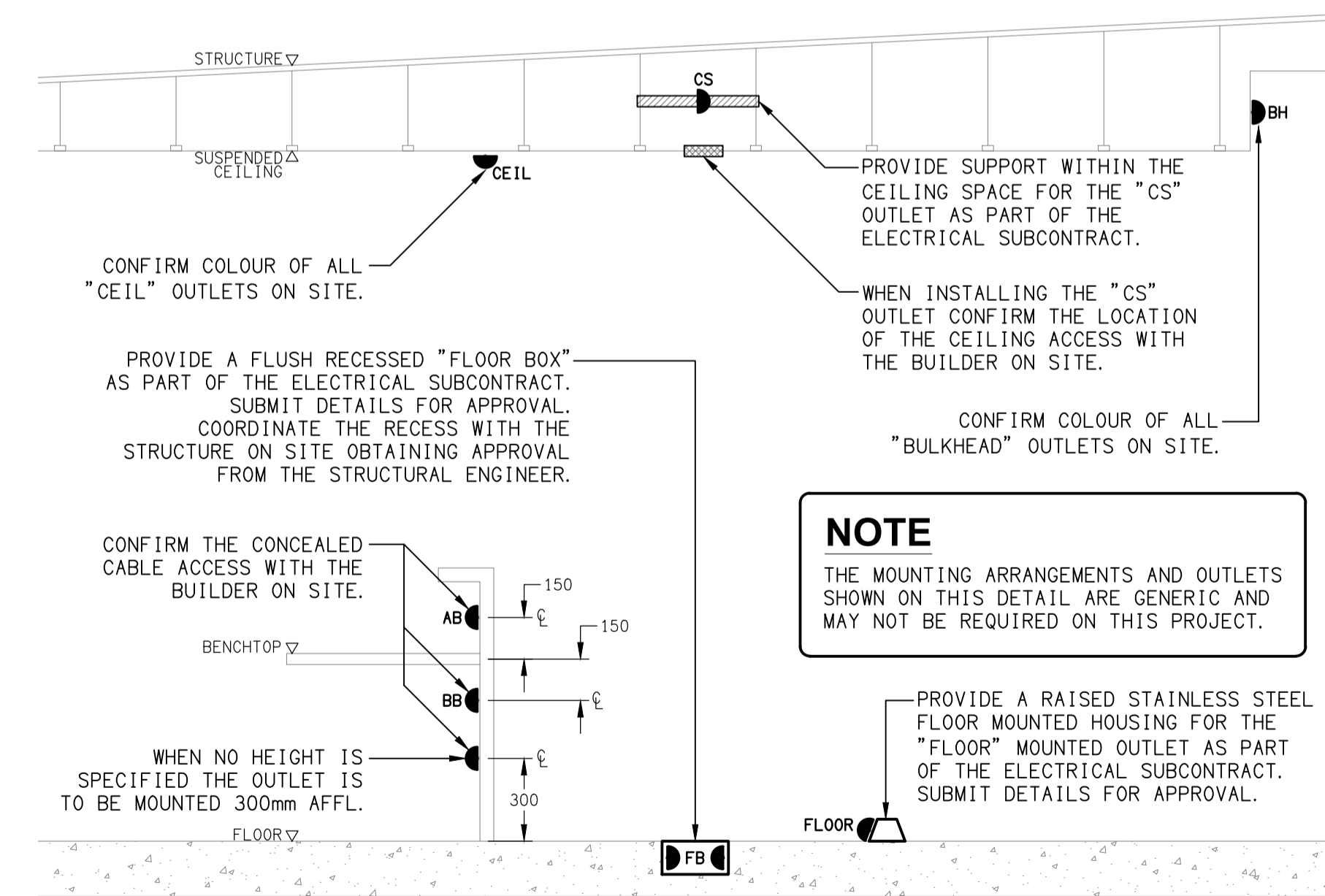
NOTES

1. THE EMERGENCY LIGHT UNSWITCHED ACTIVE / GENERAL LIGHTING SWITCHED ACTIVE CIRCUIT ARRANGEMENT AND CONTROL IS TYPICAL FOR ALL CIRCUITS SUPPLYING EMERGENCY LIGHTS.
2. PROVIDE ADDITIONAL CONTROL RELAYS (CRx) CONFIGURED AS PER CRa AND CRb FOR ALL ADDITIONAL LIGHTING CIRCUITS THAT SUPPLY LIGHTS IN THE VICINITY OF THE EMERGENCY LIGHTS.

**SCHEMATIC
EMERGENCY LIGHTING**
NOT TO SCALE



SITE PLAN
EXTENT OF WORKS
SCALE 1:500



DETAIL
TYPICAL OUTLET MOUNTINGS
NOT TO SCALE

NOTE
THE MOUNTING ARRANGEMENTS AND OUTLETS SHOWN ON THIS DETAIL ARE GENERIC AND MAY NOT BE REQUIRED ON THIS PROJECT.

<p>ELECTRICAL DESIGN GROUP BRISBANE PTY LTD ACN 092 710 793</p> <p>TRADING AS: ELECTRICAL DESIGN GROUP</p>	<p>THE COPYRIGHT OF THIS DRAWING REMAINS THE PROPERTY OF THE ELECTRICAL DESIGN GROUP.</p> <p>USE FIGURED DIMENSIONS IN PREFERENCE TO SCALE.</p> <p>ALL DIMENSIONS TO BE VERIFIED ONSITE.</p>	<p>ELECTRICAL DESIGN GROUP ELECTRICAL BUILDING SERVICES CONSULTANTS BRISBANE GOLD COAST</p> <p>P.O. Box 15, Sherwood Q.4075 Phone: (07) 3278 4375 Email: brisbane@edg.net.au Web: www.edg.net.au</p>	<p>PROJECT: PRINCE OF WALES HOTEL, NUNDAH</p> <p>100 BUCKLAND ROAD, NUNDAH</p>				
<table border="1" style="width: 100%; border-collapse: collapse;"> <tr> <td style="width: 50%;">A PRELIMINARY</td> <td style="width: 50%;">19/02/2025</td> </tr> <tr> <td>REV: DESCRIPTION:</td> <td>DATE:</td> </tr> </table>		A PRELIMINARY	19/02/2025	REV: DESCRIPTION:	DATE:	<p>DRAWING: ELECTRICAL SERVICES LEGEND & DETAILS</p>	
A PRELIMINARY	19/02/2025						
REV: DESCRIPTION:	DATE:						
<p>SCALE: AS SHOWN AT A1</p>		<table border="1" style="width: 100%; border-collapse: collapse;"> <tr> <td style="width: 25%;">PROJECT NO: C3419a</td> <td style="width: 25%;">DRAWING NO: E01</td> <td style="width: 25%;">REVISION: A</td> <td style="width: 25%;"></td> </tr> </table>		PROJECT NO: C3419a	DRAWING NO: E01	REVISION: A	
PROJECT NO: C3419a	DRAWING NO: E01	REVISION: A					